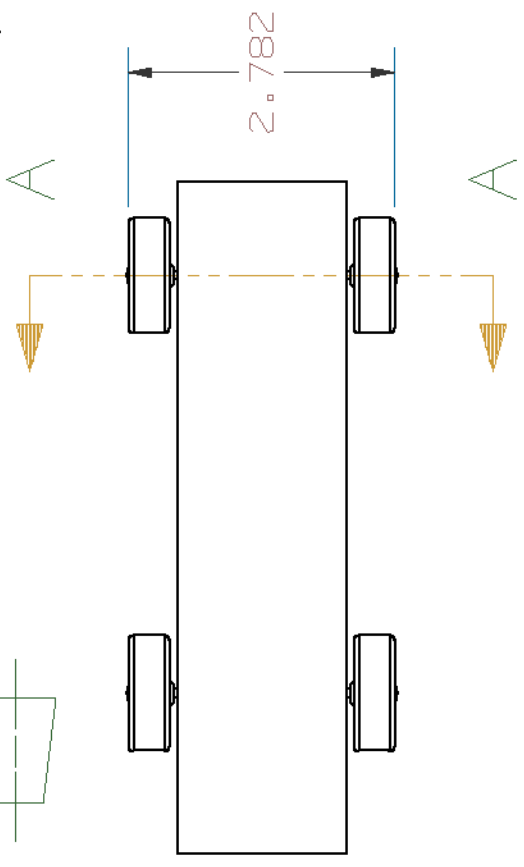
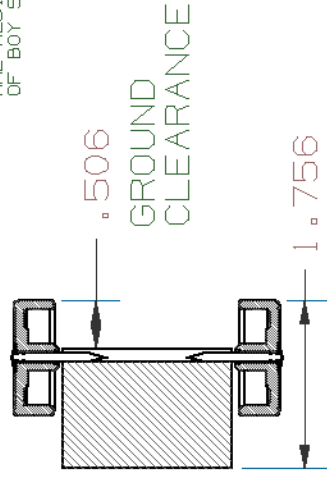


BoysDad.com IS NOT AN OFFICIAL PUBLICATION OF BOY SCOUTS OF AMERICA. THIS PRODUCT IS NOT ENDORSED OR SPONSORED BY BOY SCOUTS OF AMERICA. Pinewood Derby, and BSA/D are REGISTERED TRADEMARKS OF BOY SCOUTS OF AMERICA.

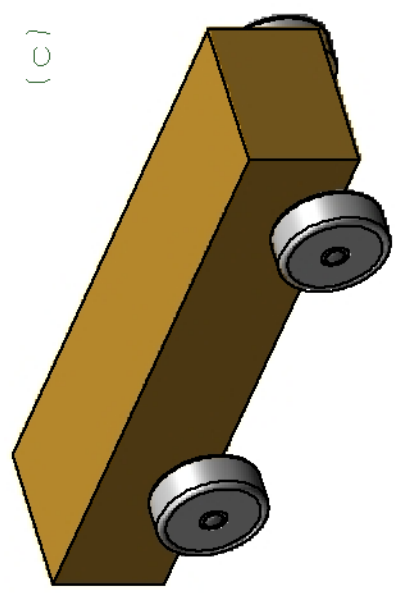
SECTION A - A



Selected mass properties for unmodified BSA car (assemble)
 Volume = 16.26761478806 in3
 Weight = 0.25410129288 lbs
 4.06561922 oz

Center of Mass
 Xcbar = 3.55761469735
 Ycbar = 0.87500000000
 Zcbar = 0.53596933412

(c) Copyright 2009, BoysDad.com



ENGINEERED PINEWOOD DERBY PLANS SCOUTING SUPPLIES www.BoysDad.com		TITLE UNMODIFIED CAR DIMENSIONS	
FIRST ISSUED		SIZE	A
DRAWN BY		DWG NO.	unmodassy_dwg1
CHECKED BY		REV.	A
APPROVED BY		SCALE	1:2
		SHEET 1 OF 2	

ALL DIMENSIONS IN INCHES
 3D CAD MASTER PART NAME: unmodassy